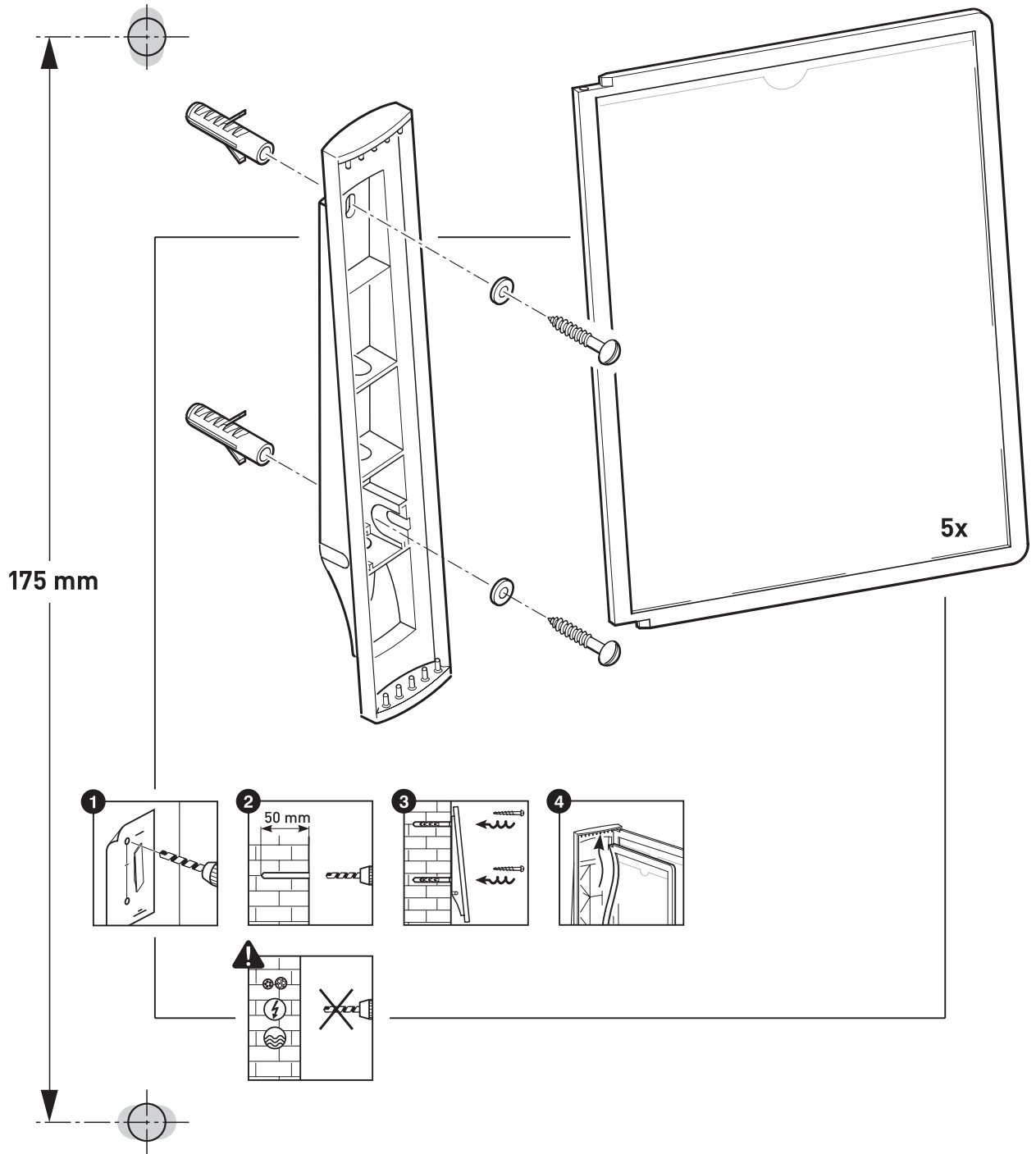




No. 5810

# SHERPA<sup>®</sup> display system wall 5



175 mm

5x

