



CLIFF Mini 3.5 - ART. 4744103010332  
 CLIFF 6-ART. 4744103010363  
 CLIFF 9-ART. 4744103010394  
 CLIFF 10.5 -ART. 4744103011308



reddot winner 2021

## Electric heater CLIFF

**CLIFF** is a slim electric sauna heater with remarkably small safety distances, which makes it perfect for saunas with limited spaces. The internal air tunnel placed in the center of the heater provides effective airflow, speeds up the heating process by 25% and prolongs the lifespan of the heating elements.

**CLIFF Mini** comes in a slimmer 3,5 kW wall-mounted model which is particularly suitable for very small sauna rooms.



© ALL RIGHTS RESERVED - HUUM 2021

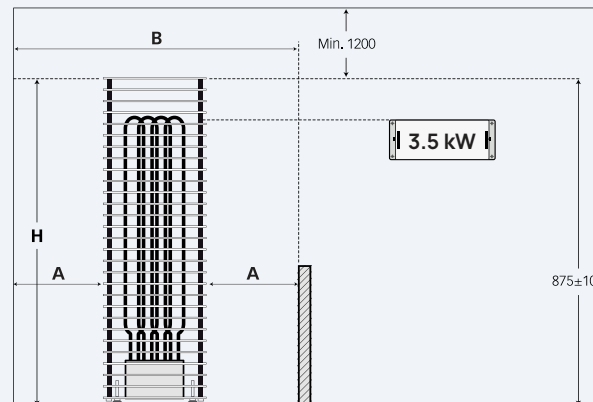


### CLIFF HEATER

	3,5 kW	6 kW	9 kW	10,5 kW
Sauna room	3,5-6 m <sup>3</sup>	5-10 m <sup>3</sup>	9-15 m <sup>3</sup>	10-17 m <sup>3</sup>
Stone capacity	60 kg	75 kg	75 kg	75 kg
Weight	15 kg	16 kg	16 kg	17 kg
Height	975 mm	975 mm	975 mm	975 mm
Width	270 mm	270 mm	270 mm	270 mm
Depth	160 mm	270 mm	270 mm	270 mm

### POWER

Fuse	16 A	10 A	16 A	16 A
Supply voltage 3-phase	-	400 V 3N	400 V 3N	400 V 3N
Cable (N x mm <sup>2</sup> )	-	5 x 2,5	5 x 2,5	5 x 2,5
Supply voltage 1-phase	230 V 1N	-	-	-
Cable (N x mm <sup>2</sup> )	3 x 2,5	-	-	-



### SAFETY DISTANCES

A	60 mm	60 mm	120 mm	120 mm
B	390 mm	390 mm	510 mm	510 mm

DISTRIBUTOR:

OF SAUNA

DELIVERY TIME / TERMS AND CONDITIONS (TO BE AGREED WHEN PLACING AN ORDER)

huum.eu